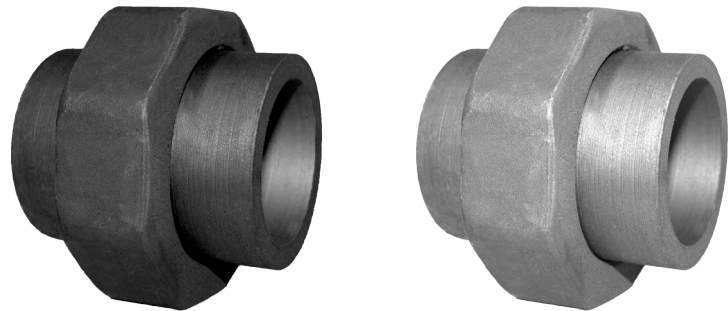
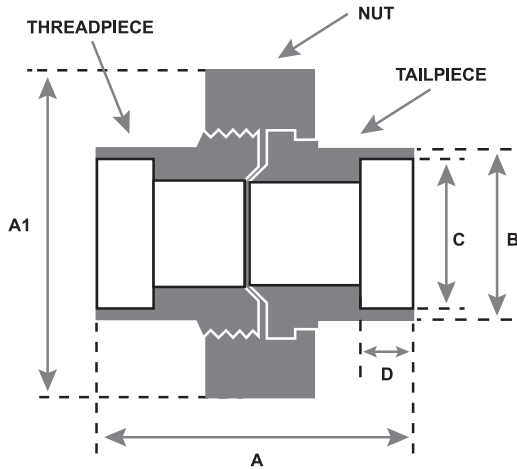




Republic Brass Sales, Inc.
619.229.8304
6566 Federal Blvd
Lemon Grove, CA 91945
www.republicbrasssales.com

UNION ASSEMBLY SOCKET WELD

Specification: ASME B16.11
Pressure Rating: 3000 / 6000 PSIG (WOG)



AVAILABLE ALLOYS: (FERROUS) CARBON STEEL (A105) & STAINLESS STEEL (GRADES 304 / 316 / 321 / 347)
(NON-FERROUS) CUNI (90/10 & 70/30), NICU (MONEL), ALUMINUM (5086)

*Additional materials available upon request.

CLASS 3000											
NOMINAL PIPE SIZE	1/8"	1/4"	3/8"	1/2"	3/4"	1"	1 1/4"	1 1/2"	2"	2 1/2"	3"
RBS P/N	UXSW3-020	UXSW3-040	UXSW3-060	UXSW3-100	UXSW3-150	UXSW3-200	UXSW3-250	UXSW3-300	UXSW3-400	UXSW3-450	UXSW3-500
A	1.703	1.719	1.875	2.000	2.281	2.500	2.875	3.031	3.500	4.047	4.297
A1	1.375	1.375	1.563	1.813	2.172	2.563	3.125	3.500	4.250	4.875	5.750
B	0.875	0.875	1.031	1.234	1.484	1.813	2.234	2.484	3.031	3.656	4.406
C	0.420	0.555	0.690	0.855	1.065	1.330	1.675	1.915	2.406	2.906	3.535
D	0.375 (MIN.)	0.375 (MIN.)	0.375 (MIN.)	0.375 (MIN.)	0.500 (MIN.)	0.500 (MIN.)	0.500 (MIN.)	0.500 (MIN.)	0.625 (MIN.)	0.625 (MIN.)	0.625 (MIN.)

CLASS 6000									
NOMINAL PIPE SIZE	1/8"	1/4"	3/8"	1/2"	3/4"	1"	1 1/4"	1 1/2"	2"
RBS P/N	UXSW6-020	UXSW6-040	UXSW6-060	UXSW6-100	UXSW6-150	UXSW6-200	UXSW6-250	UXSW6-300	UXSW6-400
A	1.733	1.875	1.984	2.297	2.500	2.875	3.016	3.531	4.266
A1	1.484	1.578	1.813	2.203	2.578	3.109	3.422	4.094	4.875
B	0.828	1.031	1.234	1.469	1.797	2.172	2.469	3.031	3.656
C	0.420	0.555	0.690	0.855	1.065	1.330	1.675	1.915	2.406
D	0.375 (MIN.)	0.375 (MIN.)	0.375 (MIN.)	0.375 (MIN.)	0.500 (MIN.)	0.500 (MIN.)	0.500 (MIN.)	0.500 (MIN.)	0.625 (MIN.)

NOTES: Fittings may be ordered with reduced ends.

For P/N's replace X with the following codes:

Carbon Steel - **CS**

Stainless Steel 304 - **304**

Stainless Steel 316 - **316**

Stainless Steel 321 - **321**

Stainless Steel 347 - **347**

Cuni 90/10 - **9**

Cuni 70/30 - **7**

Nicu (Monel) - **M**

Aluminum Gr. 5086 - **A**

