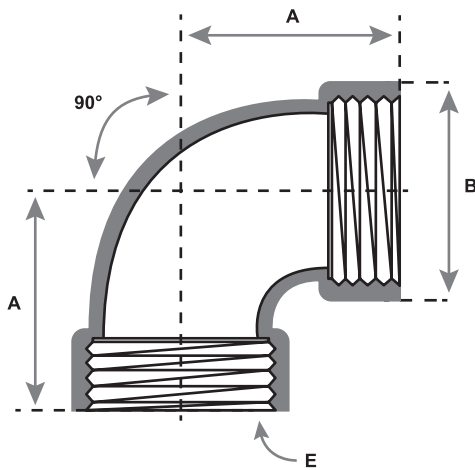




Republic Brass Sales, Inc.
619.229.8304
6566 Federal Blvd
Lemon Grove, CA 91945
www.republicbrasssales.com

90° ELBOW THREADED

Specification: ASME B1.20.1 (NPT)
Pressure Rating: 3000 / 6000 PSIG (WOG)



AVAILABLE ALLOYS: (FERROUS) CARBON STEEL (A105) & STAINLESS STEEL (GRADES 304 / 316 / 321 / 347)
(NON-FERROUS) CUNI (90/10 & 70/30), NICU (MONEL), ALUMINUM (5086)

*Additional materials available upon request.

CLASS 3000												
NOMINAL PIPE SIZE	1/8"	1/4"	3/8"	1/2"	3/4"	1"	1 1/4"	1 1/2"	2"	2 1/2"	3"	4"
RBS P/N	9XTH3-020	9XTH3-040	9XTH3-060	9XTH3-100	9XTH3-150	9XTH3-200	9XTH3-250	9XTH3-300	9XTH3-400	9XTH3-450	9XTH3-500	9XTH3-600
A	0.875	0.969	1.125	1.313	1.500	1.750	2.000	2.375	2.500	3.250	3.750	4.500
B	0.906	1.063	1.313	1.563	1.219	2.219	2.500	3.031	3.344	4.000	4.750	6.000
E	1/8 X 27	1/4 X 18	3/8 X 18	1/2 X 14	3/4 X 14	1 X 11.5	1 1/4 X 11.5	1 1/2 X 11.5	2 X 11.5	2 1/2 X 8	3 X 8	4 X 8

CLASS 6000												
NOMINAL PIPE SIZE	1/8"	1/4"	3/8"	1/2"	3/4"	1"	1 1/4"	1 1/2"	2"	2 1/2"	3"	4"
RBS P/N	9XTH6-020	9XTH6-040	9XTH6-060	9XTH6-100	9XTH6-150	9XTH6-200	9XTH6-250	9XTH6-300	9XTH6-400	9XTH6-450	9XTH6-500	9XTH6-600
A	0.969	1.125	1.313	1.500	1.750	2.000	2.375	2.500	3.250	3.750	4.188	4.500
B	1.063	1.313	1.563	1.844	2.219	2.500	3.031	3.344	4.000	4.750	5.750	6.000
E	1/8 X 27	1/4 X 18	3/8 X 18	1/2 X 14	3/4 X 14	1 X 11.5	1 1/4 X 11.5	1 1/2 X 11.5	2 X 11.5	2 1/2 X 8	3 X 8	4 X 8

NOTES: Fittings may be ordered with reduced ends.

For P/N's replace X with the following codes:

Carbon Steel - CS	Stainless Steel 321 - 321	Cuni 70/30 - 7
Stainless Steel 304 - 304	Stainless Steel 347 - 347	Nicu (Monel) - M
Stainless Steel 316 - 316	Cuni 90/10 - 9	Aluminum Gr. 5086 - A

