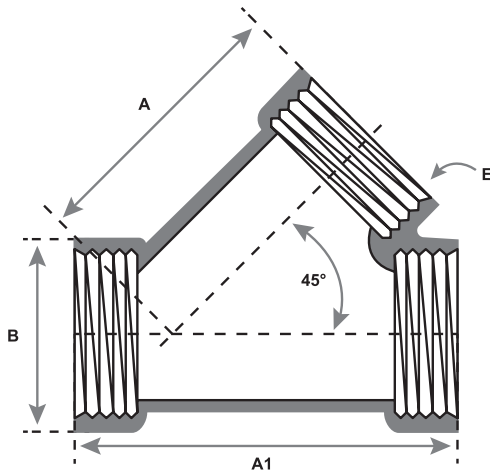




Republic Brass Sales, Inc.
 619.229.8304
 6566 Federal Blvd
 Lemon Grove, CA 91945
 www.republicbrasssales.com

LATERAL THREADED

Specification: ASME B1.20.1 (NPT)
 Pressure Rating: 3000 / 6000 PSIG (WOG)



AVAILABLE ALLOYS: (FERROUS) CARBON STEEL (A105) & STAINLESS STEEL (GRADES 304 / 316 / 321 / 347)
 (NON-FERROUS) CUNI (90/10 & 70/30), NICU (MONEL), ALUMINUM (5086)

*Additional materials available upon request.

CLASS 3000										
NOMINAL PIPE SIZE	1/8"	1/4"	3/8"	1/2"	3/4"	1"	1 1/4"	1 1/2"	2"	2 1/2"
RBS P/N	LXTH3-020	LXTH3-040	LXTH3-060	LXTH3-100	LXTH3-150	LXTH3-200	LXTH3-250	LXTH3-300	LXTH3-400	LXTH3-450
A	1.375	1.375	1.375	1.375	2.125	2.500	2.813	3.188	4.375	5.313
A1	2.500	2.500	2.500	2.500	3.000	3.500	4.000	4.500	6.000	7.500
B	0.906	1.063	1.313	1.563	1.844	2.219	2.500	3.031	3.313	4.000
E	1/8 X 27	1/4 X 18	3/8 X 18	1/2 X 14	3/4 X 14	1 X 11.5	1 1/4 X 11.5	1 1/2 X 11.5	2 X 11.5	2 1/2 X 8

CLASS 6000									
NOMINAL PIPE SIZE	1/8"	1/4"	3/8"	1/2"	3/4"	1"	1 1/4"	1 1/2"	2"
RBS P/N	LXTH6-020	LXTH6-040	LXTH6-060	LXTH6-100	LXTH6-150	LXTH6-200	LXTH6-250	LXTH6-300	LXTH6-400
A	1.750	1.750	1.750	2.125	2.500	2.813	3.188	4.375	5.313
A1	2.500	2.500	2.500	3.000	3.500	4.000	4.500	6.000	7.500
B	1.063	1.313	1.563	1.844	2.219	2.500	3.031	3.313	4.000
E	1/8 X 27	1/4 X 18	3/8 X 18	1/2 X 14	3/4 X 14	1 X 11.5	1 1/4 X 11.5	1 1/2 X 11.5	2 X 11.5

NOTES: Fittings may be ordered with reduced ends.

For P/N's replace X with the following codes:

Carbon Steel - **CS**

Stainless Steel 304 - **304**

Stainless Steel 316 - **316**

Stainless Steel 321 - **321**

Stainless Steel 347 - **347**

Cuni 90/10 - **9**

Cuni 70/30 - **7**

Nicu (Monel) - **M**

Aluminum Gr. 5086 - **A**

