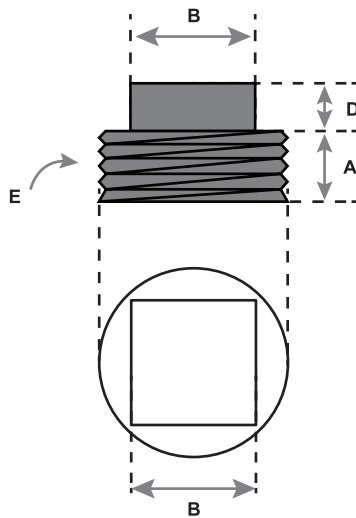




Republic Brass Sales, Inc.
 619.229.8304
 6566 Federal Blvd
 Lemon Grove, CA 91945
 www.republicbrasssales.com

PLUG THREADED

Specification: ASME B1.20.1 (NPT)
 Pressure Rating: 3000 / 6000 PSIG (WOG)



**AVAILABLE ALLOYS: (FERROUS) CARBON STEEL (A105) & STAINLESS STEEL (GRADES 304 / 316 / 321 / 347)
 (NON-FERROUS) CUNI (90/10 & 70/30), NICU (MONEL), ALUMINUM (5086)**
**Additional materials available upon request.*

CLASS 3000 / 6000												
NOMINAL PIPE SIZE	1/8"	1/4"	3/8"	1/2"	3/4"	1"	1 1/4"	1 1/2"	2"	2 1/2"	3"	4"
RBS P/N	PLXTH020	PLXTH040	PLXTH060	PLXTH100	PLXTH150	PLXTH200	PLXTH250	PLXTH300	PLXTH400	PLXTH450	PLXTH500	PLXTH600
A	0.375	0.438	0.500	0.563	0.625	0.750	0.813	0.813	0.875	1.063	1.125	1.375
B	0.281	0.375	0.438	0.563	0.625	0.813	0.938	1.125	1.313	1.500	1.688	2.500
D	0.250	0.250	0.313	0.375	0.438	0.500	0.563	0.625	0.688	0.750	0.813	1.250
E	1/8 X 27	1/4 X 18	3/8 X 18	1/2 X 14	3/4 X 14	1 X 11.5	1 1/4 X 11.5	1 1/2 X 11.5	2 X 11.5	2 1/2 X 8	3 X 8	4 X 8

NOTES: Fittings may be ordered with reduced ends.

For P/N's replace X with the following codes:

Carbon Steel - CS	Stainless Steel 321 - 321	Cuni 70/30 - 7
Stainless Steel 304 - 304	Stainless Steel 347 - 347	Nicu (Monel) - M
Stainless Steel 316 - 316	Cuni 90/10 - 9	Aluminum Gr. 5086 - A

