



Republic Brass Sales, Inc.
 619.229.8304
 6566 Federal Blvd
 Lemon Grove, CA 91945
 www.republicbrasssales.com

UNION NUT SOCKET WELD

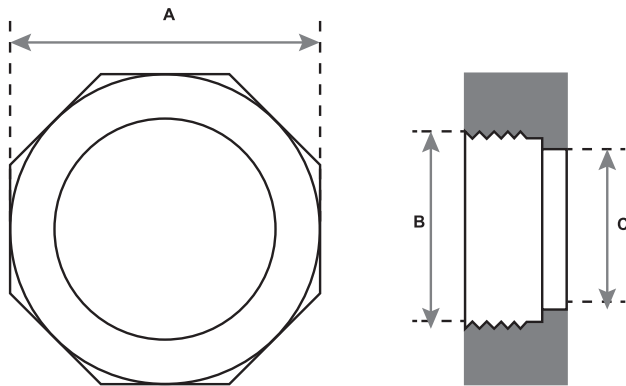
Specification: NAVSEA DWG 803-6397430
 Pressure Rating: 400 PSIG (WOG)

Intended for use with Class 200 or 700
 Copper Nickel Tube IAW MIL-T-16420

SERVICE RATING TABLE				
Nominal Pipe Size (INCHES)	Maximum Working Pressure (LB/IN ²)	Maximum Temperature (°F)	Maximum Working Pressure (LB/IN ²)	Maximum Temperature (°F)
1/4 through 6	200	425	400	150
Above 6	150	425	250	150



BRONZE
 ASTM B61 / QQ-C-390 / MIL-B-16541
 (ALLOY C90300 / C92200)



AVAILABLE ALLOY: BRONZE

NOMINAL PIPE SIZE	1/4"	3/8"	1/2"	3/4"	1"	1 1/4"	1 1/2"	2"
RBS P/N (90/10)	UNBSB040	UNBSB060	UNBSB100	UNBSB150	UNBSB200	UNBSB250	UNBSB300	UNBSB400
A	1-11/32 (+/- 1/16)	1-35/64 (+/- 1/16)	1-25/32 (+/- 1/16)	2-3/16 (+/- 1/16)	2-35/64 (+/- 1/16)	3-3/64 (+/- 1/16)	3-25/64 (+/- 1/16)	4-3/64 (+/- 1/16)
B	1.095	1.281	1.491	1.835	2.165	2.601	2.921	3.521
C	.86 (+/- .01)	1.02 (+/- .01)	1.22 (+/- .01)	1.51 (+/- .01)	1.82 (+/- .01)	2.22 (+/- .01)	2.52 (+/- .01)	3.09 (+/- .01)

NOTES: Fittings may be ordered with reduced ends and/or female threads

