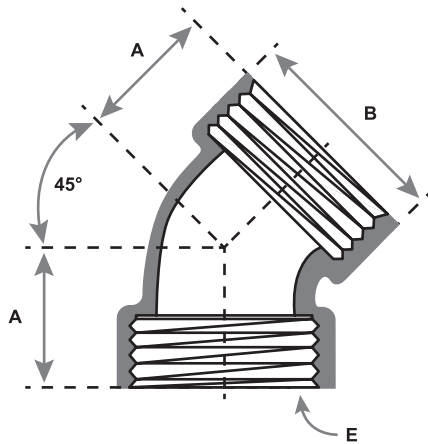




Republic Brass Sales, Inc.
619.229.8304
6566 Federal Blvd
Lemon Grove, CA 91945
www.republicbrasssales.com

45° ELBOW THREADED

Specification: ASME B1.20.1 (NPT)
Pressure Rating: 3000 / 6000 PSIG (WOG)



**AVAILABLE ALLOYS: (FERROUS) CARBON STEEL (A105) & STAINLESS STEEL (GRADES 304 / 316 / 321 / 347)
(NON-FERROUS) CUNI (90/10 & 70/30), NICU (MONEL), ALUMINUM (5086)**
**Additional materials available upon request.*

CLASS 3000												
NOMINAL PIPE SIZE	1/8"	1/4"	3/8"	1/2"	3/4"	1"	1 1/4"	1 1/2"	2"	2 1/2"	3"	4"
RBS P/N	4XTH3-020	4XTH3-040	4XTH3-060	4XTH3-100	4XTH3-150	4XTH3-200	4XTH3-250	4XTH3-300	4XTH3-400	4XTH3-450	4XTH3-500	4XTH3-600
A	0.750	0.750	1.000	1.125	1.250	1.313	1.375	1.688	1.750	2.063	2.500	3.125
B	0.906	1.063	1.313	1.563	1.844	2.219	2.500	3.031	3.313	4.000	4.750	6.000
E	1/8 X 27	1/4 X 18	3/8 X 18	1/2 X 14	3/4 X 14	1 X 11.5	1 1/4 X 11.5	1 1/2 X 11.5	2 X 11.5	2 1/2 X 8	3 X 8	4 X 8

CLASS 6000												
NOMINAL PIPE SIZE	1/8"	1/4"	3/8"	1/2"	3/4"	1"	1 1/4"	1 1/2"	2"	2 1/2"	3"	4"
RBS P/N	4XTH6-020	4XTH6-040	4XTH6-060	4XTH6-100	4XTH6-150	4XTH6-200	4XTH6-250	4XTH6-300	4XTH6-400	4XTH6-450	4XTH6-500	4XTH6-600
A	0.750	1.000	1.125	1.250	1.313	1.375	1.688	1.750	2.063	2.500	3.125	3.125
B	1.063	1.313	1.563	1.844	2.219	2.500	3.031	3.313	4.000	4.750	6.000	6.000
E	1/8 X 27	1/4 X 18	3/8 X 18	1/2 X 14	3/4 X 14	1 X 11.5	1 1/4 X 11.5	1 1/2 X 11.5	2 X 11.5	2 1/2 X 8	3 X 8	4 X 8

NOTES: Fittings may be ordered with reduced ends.

For P/N's replace X with the following codes:

Carbon Steel - CS	Stainless Steel 321 - 321	Cuni 70/30 - 7
Stainless Steel 304 - 304	Stainless Steel 347 - 347	Nicu (Monel) - M
Stainless Steel 316 - 316	Cuni 90/10 - 9	Aluminum Gr. 5086 - A

