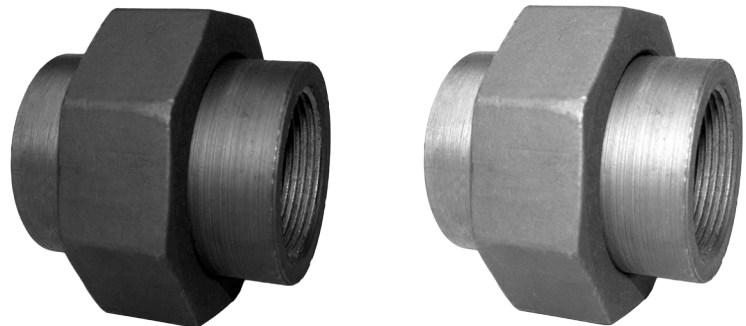
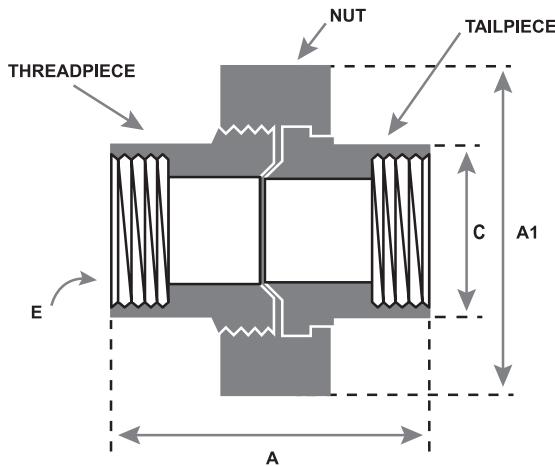




Republic Brass Sales, Inc.  
619.229.8304  
6566 Federal Blvd  
Lemon Grove, CA 91945  
www.republicbrasssales.com

# UNION ASSEMBLY THREADED

Specification: ASME B1.20.1 (NPT)  
Pressure Rating: 3000 / 6000 PSIG (WOG)



AVAILABLE ALLOYS: (FERROUS) CARBON STEEL (A105) & STAINLESS STEEL (GRADES 304 / 316 / 321 / 347)  
(NON-FERROUS) CUNI (90/10 & 70/30), NICU (MONEL), ALUMINUM (5086)

*\*Additional materials available upon request.*

CLASS 3000											
NOMINAL PIPE SIZE	1/8"	1/4"	3/8"	1/2"	3/4"	1"	1 1/4"	1 1/2"	2"	2 1/2"	3"
RBS P/N	UXTH3-020	UXTH3-040	UXTH3-060	UXTH3-100	UXTH3-150	UXTH3-200	UXTH3-250	UXTH3-300	UXTH3-400	UXTH3-450	UXTH3-500
A	1.703	1.719	1.875	2.000	2.281	2.500	2.875	3.031	3.500	4.047	4.297
A1	1.375	1.375	1.563	1.813	2.172	2.563	3.125	3.500	4.250	4.875	5.750
C	0.875	0.875	1.031	1.234	1.484	1.813	2.234	2.484	3.031	3.656	4.406
E	1/8 X 27	1/4 X 18	3/8 X 18	1/2 X 14	3/4 X 14	1 X 11.5	1 1/4 X 11.5	1 1/2 X 11.5	2 X 11.5	2 1/2 X 8	3 X 8

CLASS 6000									
NOMINAL PIPE SIZE	1/8"	1/4"	3/8"	1/2"	3/4"	1"	1 1/4"	1 1/2"	2"
RBS P/N	UXTH6-020	UXTH6-040	UXTH6-060	UXTH6-100	UXTH6-150	UXTH6-200	UXTH6-250	UXTH6-300	UXTH6-400
A	1.733	1.875	1.984	2.297	2.500	2.875	3.016	3.531	4.266
A1	1.484	1.578	1.813	2.203	2.578	3.109	3.422	4.094	4.875
C	0.828	1.031	1.234	1.469	1.797	2.172	2.469	3.031	3.656
E	1/8 X 27	1/4 X 18	3/8 X 18	1/2 X 14	3/4 X 14	1 X 11.5	1 1/4 X 11.5	1 1/2 X 11.5	2 X 11.5

NOTES: Fittings may be ordered with reduced ends.

For P/N's replace X with the following codes:

Carbon Steel - **CS**

Stainless Steel 304 - **304**

Stainless Steel 316 - **316**

Stainless Steel 321 - **321**

Stainless Steel 347 - **347**

Cuni 90/10 - **9**

Cuni 70/30 - **7**

Nicu (Monel) - **M**

Aluminum Gr. 5086 - **A**

