



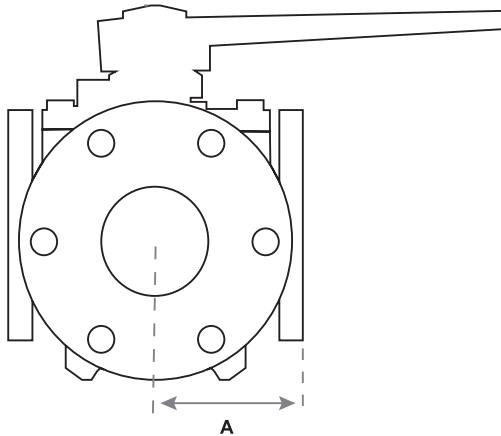
Republic Brass Sales, Inc.
 619.229.8304
 6566 Federal Blvd
 Lemon Grove, CA 91945
 www.republicbrasssales.com

3 WAY 2 or 3 PORT

BALL / PLUG VALVE

Specification: MIL-V-24509 TYPE 3
 (MIL-F-20042 Flanges)

Pressure Rating: 150 PSI WOG



VALVE OPERATING TORQUE			
Valve Size (INCHES)	Maximum Operating Torque (FT/LB)	Nominal Lever Length (INCHES)	Nominal Hand wheel Diameter (INCHES)
1 1/4	20	5	7
1 1/2	25	6	8
2	35	7	11
2 1/2	40	8	11
3	45	9	12
3 1/2	50	10	14
4	60	11	16
4 1/2	70	13	16
5	80	14	18
6	100	--	21
8	120	--	24

NOMINAL PIPE SIZE	RBS P/N	A (+/- 1/6)
1 1/2"	24509B3W3P-300	3 1/8
2"	24509B3W3P-400	3 1/2
2 1/2"	24509B3W3P-450	4
3"	24509B3W3P-500	4 1/2
3 1/2"	24509B3W3P-550	5
4"	24509B3W3P-600	5 1/4
5"	24509B3W3P-700	6 1/2
6"	24509B3W3P-800	7 1/2
8"	24509B3W3P-900	9 1/2



NOTES: For PLUG VALVE, Substitute "P" for "B" in Part Number.
 Valves covered by this specification are intended for sewage and sea water service.
 Valves available with Gear Operators upon request.
 When ordering a 3 Way Valve, please indicate flow plan number required.
 *Flow plan diagram on the following page.

