

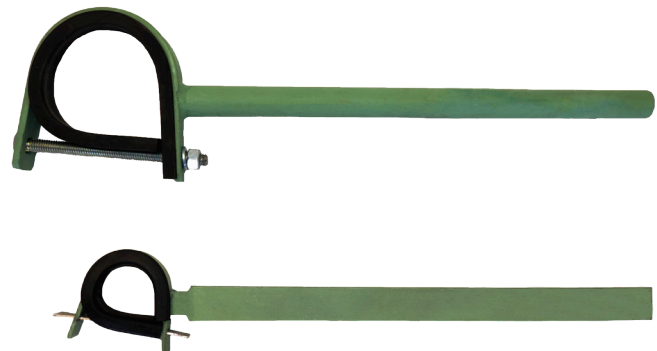
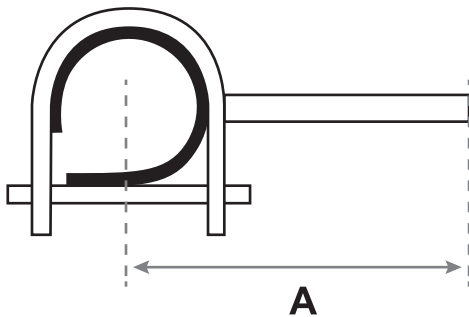


Republic Brass Sales, Inc.  
 619.229.8304  
 6566 Federal Blvd  
 Lemon Grove, CA 91945  
 www.republicbrasssales.com

# PIPE HANGER TYPE 38 (NELSON)

Specification: NAVSEA DWG 810-4714432

Neoprene Liner IAW ASTM D-2000-75E Shore A 60



NOMINAL PIPE SIZE	RBS P/N	A
1/4"	HANGX38-040	18 MAX
3/8"	HANGX38-060	18 MAX
1/2"	HANGX38-100	18 MAX
3/4"	HANGX38-150	18 MAX
1"	HANGX38-200	18 MAX
1 1/4"	HANGX38-250	18 MAX
1 1/2"	HANGX38-300	18 MAX
2"	HANGX38-400	18 MAX

NOTES: For P/N replace X for **CS** for A-36 Steel, **A** for 6061 Aluminum, **SS** for Stainless Steel.

1/4" and 3/8" NPS Hangers have 1/8" liners; all other sizes have 1/4" liners.

